

# 4 TONNE TWO- POST BASE PLATE LIFT 3 PHASE

Electro-magnet safety release two-post lift is the perfect choice for  
low ceiling commercial service shops and garages.

Item no. LT240B



 **FAST**  
**INSTALLATION**

# STEINER<sup>™</sup>

# 4 TONNE TWO-POST LIFT

Item no. LT240B

## FEATURES

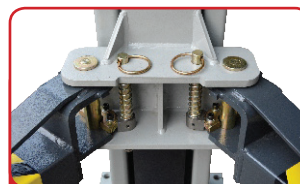
- › 4000kg lifting capacity.
- › Dual hydraulic cylinders, designed and made to ANSI standard. High-quality NOK seals.
- › Self-lubricating UHMW Polyethylene sliders and bronze bush.
- › Aero cable used for synchronization.
- › 4 three-stage arms giving more flexibility to your lifting points.
- › Automatic arm locks restraints and release.
- › Electric control box and electro-magnet safety release.
- › Detachable foot guard and tool tray.
- › Optional single phase motor available.



Optional 24V LED light Kit No. LT0006 (for floor plate two post lifts)



Dual safety device and electro-magnet safety release.



Automatic arms restraints and release.



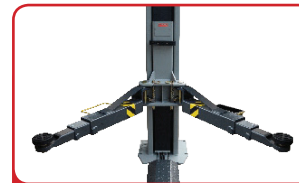
Optional saddle adapter. Kits No.: 20802(light truck)



Both insert and screw rubber pads with 3" extension adapters.



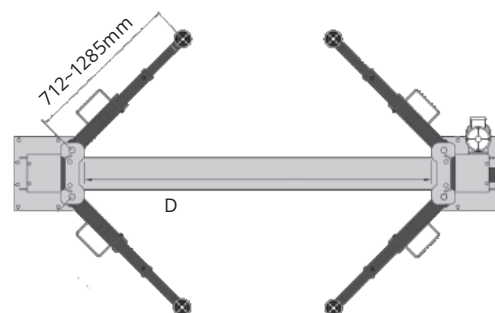
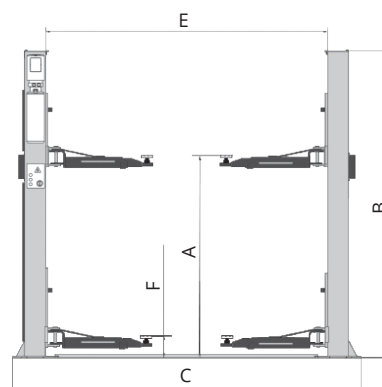
24V voltage control device, more safety and convenient.



4 three-stage arms giving more flexibility to your lifting points.

## SPECIFICATIONS

Lifting capacity		4000kg
Lifting time		49S
Lifting height	A	1950mm~2085mm
Overall height	B	2841mm
Overall width	C	3460mm
Drive-Thru Clearance	D	2560mm
Width Between Columns	E	2850mm
Minimum lifting height	F	100-235mm
Motor		2.0/3.0HP
Gross Weight		706kg



# STEINER™